

Latest edition?

The Service Kit Catalogue is only reprinted at long intervals. If you require the latest edition, please refer to service documentation in WebGOLD which is updated on a more regular basis.

Sources of product documentation

In addition to the printed Service Kit Catalogue, Grundfos offers the following sources of product documentation

- WinCAPS
- WebCAPS
- WebGOLD.

WinCAPS

WinCAPS is a **Windows-based Computer Aided Product Selection** programme containing information on more than 90,000 Grundfos products.

WinCAPS is available on CD-ROM in 16 languages.

WinCAPS offers

- detailed technical information
- selection of an optimised pump solution
- dimensional drawings of each pump
- detailed service documentation
- operating and installation instructions
- wiring diagrams of each pump.

WebCAPS

WebCAPS **Web-based Computer Aided Product Selection** is a web-version of WinCAPS.

WebCAPS is available on the Grundfos homepage, www.grundfos.com

WebCAPS offers

- detailed technical information
- dimensional drawings of each pump
- wiring diagrams of each pump.

WebGOLD

WebGOLD (**Web-based Grundfos Online Literature and Drawings**) database contains information on approximately 169 product families in 25 different languages.

WebGOLD is available on the Grundfos homepage, www.grundfos.com

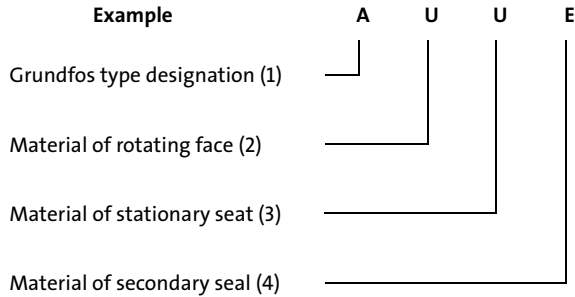
WebGOLD contains

- Data booklets
- installation and operating instructions
- service documentation
- CAD drawings (2- and 3-dimensional)
- product brochures
- case histories
- system guides
- system and concept brochures.
-

Shaft seals

SHAFT SEAL

The stamping code (variant code) of mechanical shaft seals is stamped on the pump nameplate. Indicated in the last Position of the type designation, the stamping code consists of four letters.



POSITION 1 CODES

Position 1 of the mechanical shaft seal variant code shows the Grundfos type designation.

The following codes can be shown in Position 1:

Code	Description
A	O-ring seal with fixed seal driver
B	Bellows seal, rubber
C	O-ring seal with spring as seal driver
D	O-ring seal, balanced
E	O-ring seal, type A, cartridge
F	Bellows seal, type B, cartridge
G	Bellows seal, type B, with reduced seal faces
H	O-ring seal, type D, cartridge
K	Bellows seal, metal, type M, cartridge
M	Bellows seal, metal
O	Double seal, back-to-back
P	Double seal, tandem
Q	Seal with flush, quench seal
R	O-ring seal, type A, with reduced seal faces
S	Stuffing box
T	Floating gap seal
X	Miscellaneous

POSITIONS 2 AND 3 CODES

Positions 2 and 3 of the mechanical shaft seal variant code show materials of rotating face and stationary seat.

The following codes can be shown in Positions 2 and 3:

Code	Material	
A	Carbon, metal-impregnated	
B	Carbon, resin-impregnated	
H (B/U)	Synthetic carbon Carbon with embedded tungsten carbide (WC) (hybrid)	
C		Other carbons
D	Metals Steel	
N		Bronze
S		Cast chromium steel
U	Carbides Tungsten carbide (WC), chromium-nickel-molybdenum-bonded	
Q		Q ₁ ^S : Dense, sintered, fine-grained silicon carbide (SiC)
Q		Q ₁ ^P : Porous, sintered, fine-grained silicon carbide (SiC)
V	Metal oxides Ceramic (aluminium oxide)	

POSITION 4 CODES

Position 4 of the mechanical shaft seal variant code shows the secondary seal material.

The following codes can be shown in Position 4:

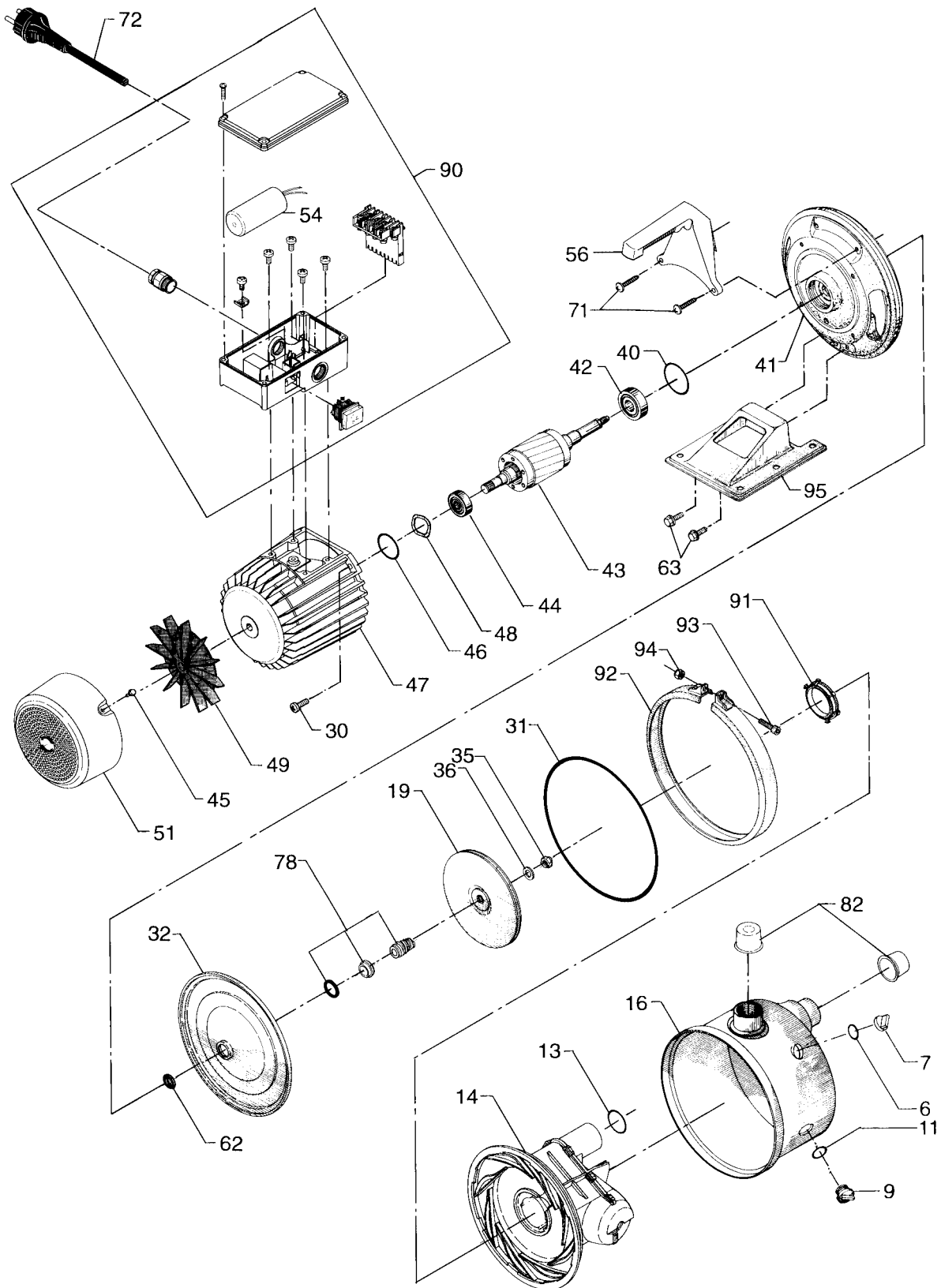
Code	Material
E	EPDM
F	FXM (Fluoraz [®])
V	FKM (Viton [®])
K	FFKM (Kalrez [®])
M	PTFE-sheathed O-ring
P	NBR (nitrile rubber)
S	Q (silicone rubber)
T	PTFE (Teflon [®])
X	Other elastomers

SHAFT SEAL KIT

Pos.	Pump type	JP 5	JP 5	JP 5	JP 5	JP 5	JP 6	JP 6	JP 6
	Model	B	B	C	D	D	B	C	D
	*) Variant				A	B			
	Kit no.	985180	985715	985742	985744	985180	985191	985743	985745
Description		FKM							
6	O-ring	1	1	1	1	1	1	1	1
7	Pipe plug	1	1	1	1	1	1	1	1
9	Pipe plug	1	1	1	1	1	1		
9a	Ejector valve							1	1
11	O-ring	1	1		1	1	1		1
13	O-ring	1	1	1	1	1	1	1	1
19	Impeller composite			1				1	
31	Rubber ring	1	1	1	1	1	1	1	1
35	Lock nut	1	1		1	1	1		1
36	Washer	1	1		1	1	1		1
62	Diverting disc	1	1	1	1	1	1	1	1
78	Shaft seal	1	1	1	1	1	1	1	1
91	Neck ring	1	1	1	1	1	1	1	1
93	Screw	1	1	1	1	1	1	1	1
94	Nut	1	1	1	1	1	1	1	1

*) Variant A: Motor stool and base plate in composite material.

Variant B: Aluminium motor stool and steel base plate.



TM00 9158 4496